

Rapid-Adjust Shotgun Muzzle Gun Rack SC-917-MS

Exploded view:

4xSC-8002 Allen Head Bolt
2xSC-8005 Flat Washers

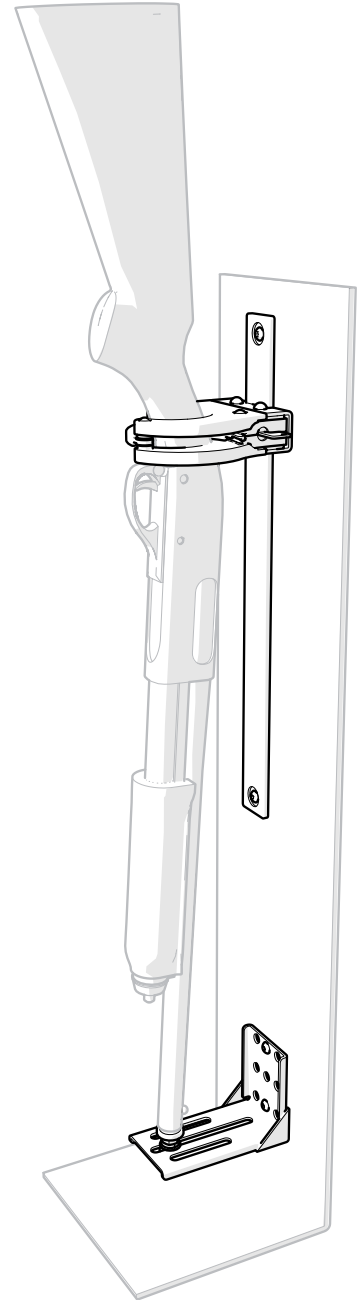
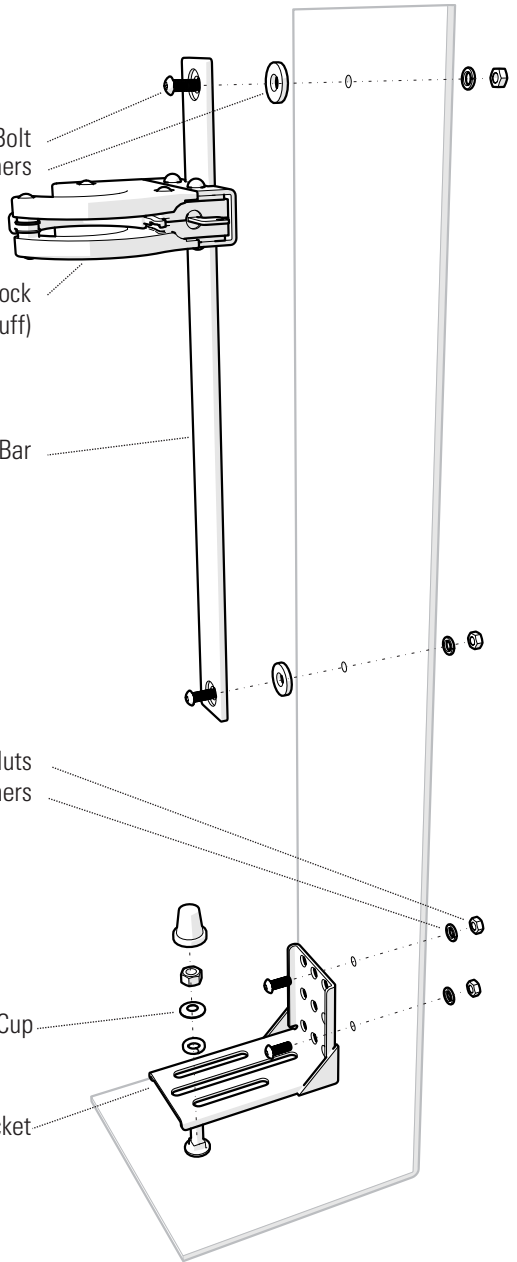
1xSC-6 Universal Gun Lock
(key: #2 or handcuff)

1xSC-502 18" Flat Bar

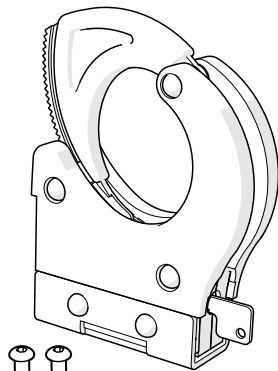
4xSC-8003 Nuts
4xSC-8004 Lock Washers

1xSC-9311 Muzzle Cup

1xSC-9903 L-Bracket



Components:



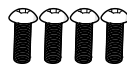
1xSC-6 Universal Gun Lock
(key: #2 or handcuff)



4xSC-8003 Nuts



4xSC-8004 Lock Washers



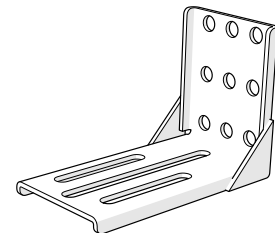
4xSC-8002 Allen Head Bolt



2xSC-8005 Flat Washers



1xSC-404 Muzzle Plug



1xSC-9903 L-Bracket

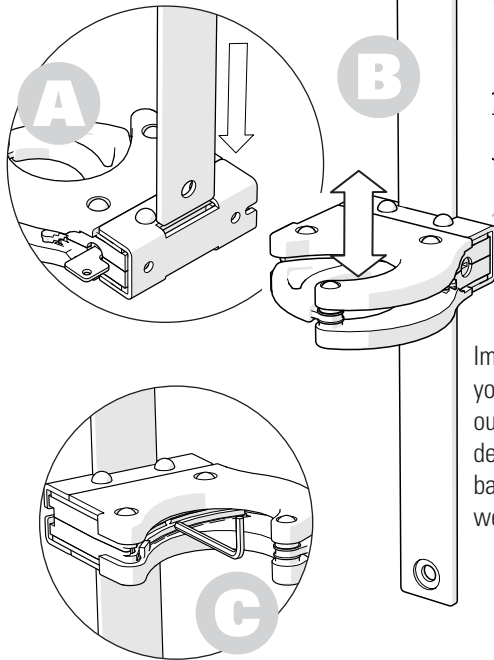


1xSC-502 18" Flat Bar

Rapid-Adjust Universal Gun Rack SC-917-MS

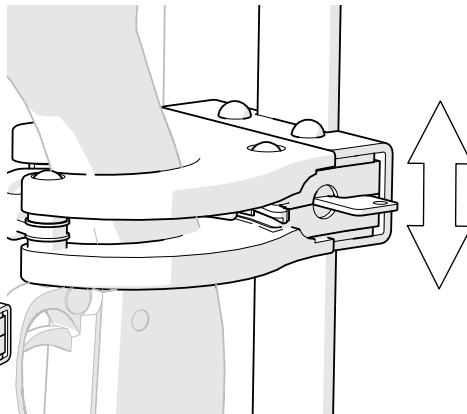
1 Install Gun Lock

Install SC-6 gunlock on flat bar (A) - (SC-6 Gunlock and SC-502 18" Bar) - with recessed holes facing you (B).
Slightly tighten internal setscrew to secure SC-6 on flat bar (C).

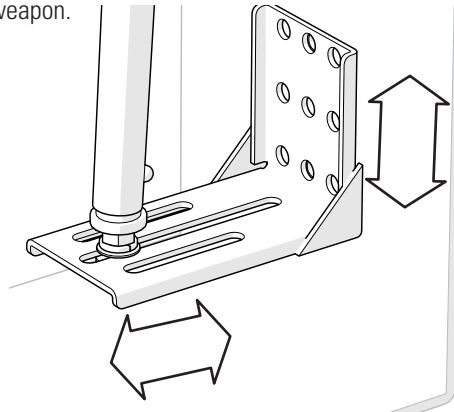


3 Adjust the parts

Slightly tighten all bolts and screws so you can still move parts around. Put your actual weapon in the gun lock and butt plate and position your whole assembly at your intended location. Adjust hinge height/angle and butt plate position until your weapon is properly lined up.

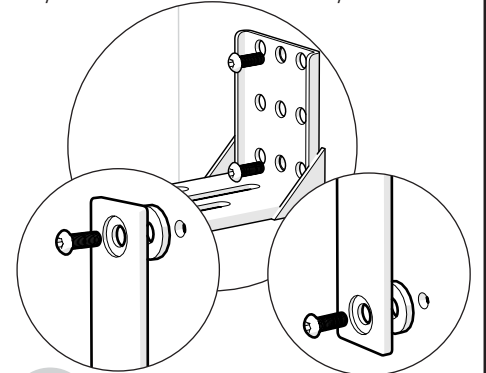


Important: If you close the ratchet arm tightly on your firearm, you will have to press or tap the outer rubber surface of the ratchet arm when deploying the firearm. This will release the backup safety inside the gun lock, releasing your weapon.



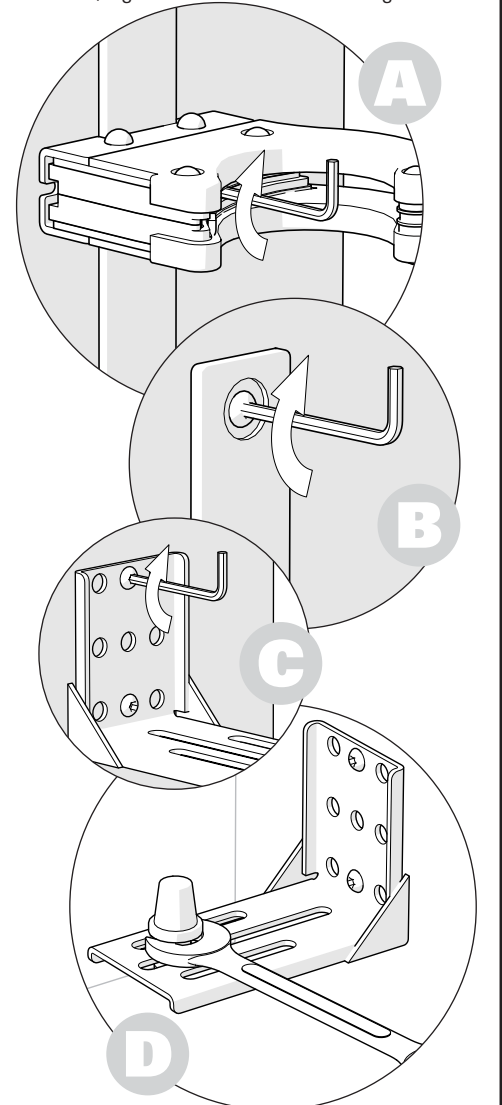
5 Drill and install

Drill your holes and install assembly.



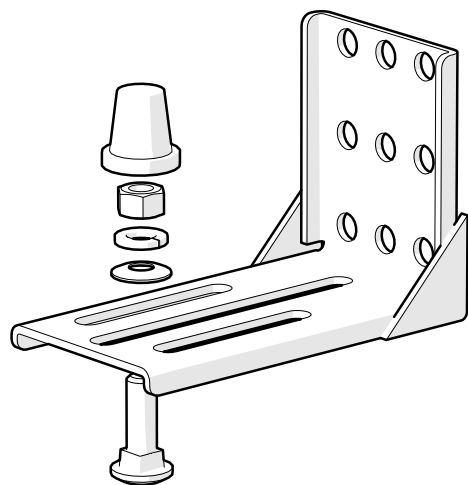
6 Tighten the screws

Place your weapon in the setup, test and retest your installation by repeatedly inserting and removing the weapon from the assembly. When satisfied, tighten all screws and test again.



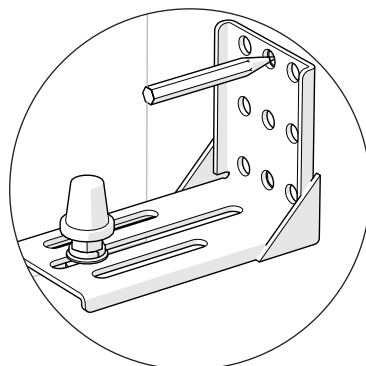
2 Install Muzzle Plug

Install muzzle plug on L bracket (part No. SC-404 Muzzle Plug and SC-9903 L bracket)



4 Mark the holes

Mark screw locations on wall/floor. Check back side of wall for fuel or electric lines.



Rapid-Adjust Universal Gun Rack **SC-917-MS**

Important

Should you have any problem installing or using Santa Cruz products, we are here to help you every step of the way. Just give us a call at our toll free number (800) 847-5428 and we will be glad to help you with the installation, special part request or any other way you might need assistance.

WARNING! SAFETY FIRST!
Gun Lock Safety Precautions



NOTE:

Santa Cruz Gunlocks, LLC (SCG) gun racks and gun locks are intended for temporary, secure storage of firearms. They are not substitutes for a permanent storage enclosure and only act as limited theft deterrents. And they will not prevent accidental discharge/firing of a chambered round.

To properly and safely use the SCG gun rack and/or gun lock:

- Do not use if your firearm does not fit the SCG gun rack and/or gun lock
- Never chamber a round while using a SCG gun rack and/or gun lock
- It is the responsibility of the user to operate the SCG gun rack and/or gun lock properly and safely

Santa Cruz Gunlocks, LLC (SCG) warrants this product to be free of defects in material and workmanship under normal use for one year from the date of purchase.

SCG makes no other express or implied warranties of the product. The purchaser's sole and exclusive remedy in the unlikely event of breach of warranty is expressly limited to, at SCG's election, repair, refurbishment, or replacement of the defective product with the same version or an upgrade or, if replacement is not possible, a refund of the purchase price.

Shipping cost to SCG must be paid by the user and SCG will pay return shipping charges. Repair parts and replacement products will be provided on an exchange base only and will be either reconditioned or new. This limited warranty does not cover damage to the product resulting from accident, disaster, misuse, abuse, negligence, improper installation or modification or repair of the product other than by SCG. Limited warranty service may be obtained by returning the product to SCG. THIS LIMITED WARRANTY IS IN LIEU OF ALL OTHER WARRANTIES, EXPRESS OR IMPLIED, INCLUDING, BUT NOT LIMITED TO, THE IMPLIED WARRANTIES OF MERCHANTABILITY AND FITNESS FOR A PARTICULAR PURPOSE. Some states, do not allow the exclusion of implied warranties, so their exclusion above may not apply to you.

LIMITATION OF LIABILITY

NEITHER SCG NOR ITS AUTHORIZED DEALER(S) SHALL BE LIABLE FOR ANY DIRECT, INDIRECT, INCIDENTAL, SPECIAL, OR CONSEQUENTIAL DAMAGES, WHETHER IN AN ACTION IN CONTRACT OR TORT (INCLUDING NEGLIGENCE AND STRICT LIABILITY), SUCH AS, BUT NOT LIMITED TO, LOSS OF ANTICIPATED PROFITS OR BENEFITS RESULTING FROM THE USE OR NOT USE OF THE PRODUCT OR ANY BREACH OF ANY WARRANTY, EVEN IF SCG OR ITS AUTHORIZED REPRESENTATIVE HAS BEEN ADVISED OF THE POSSIBILITY OF SUCH DAMAGES. IN NO EVENT WILL SCG OR ITS AUTHORIZED REPRESENTATIVES' LIABILITY EXCEED THE PRICE PAID FOR THE PRODUCT.

Tamper resistant hardware (optional)



Tamper Resistant
Torx Head Bolt
5/16-18

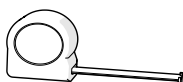


Tamper Resistant
Break Away Nut
5/16-18

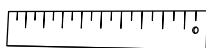


TT-40 Torx Bit

Tools needed for installation



Tape Measure



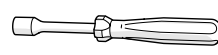
Ruler



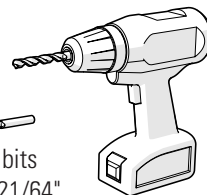
3/16" Hex Wrench



9/16" Wrench



Nutdriver



Drill bits
5/16", 21/64"

Drill



Pencil

Note: