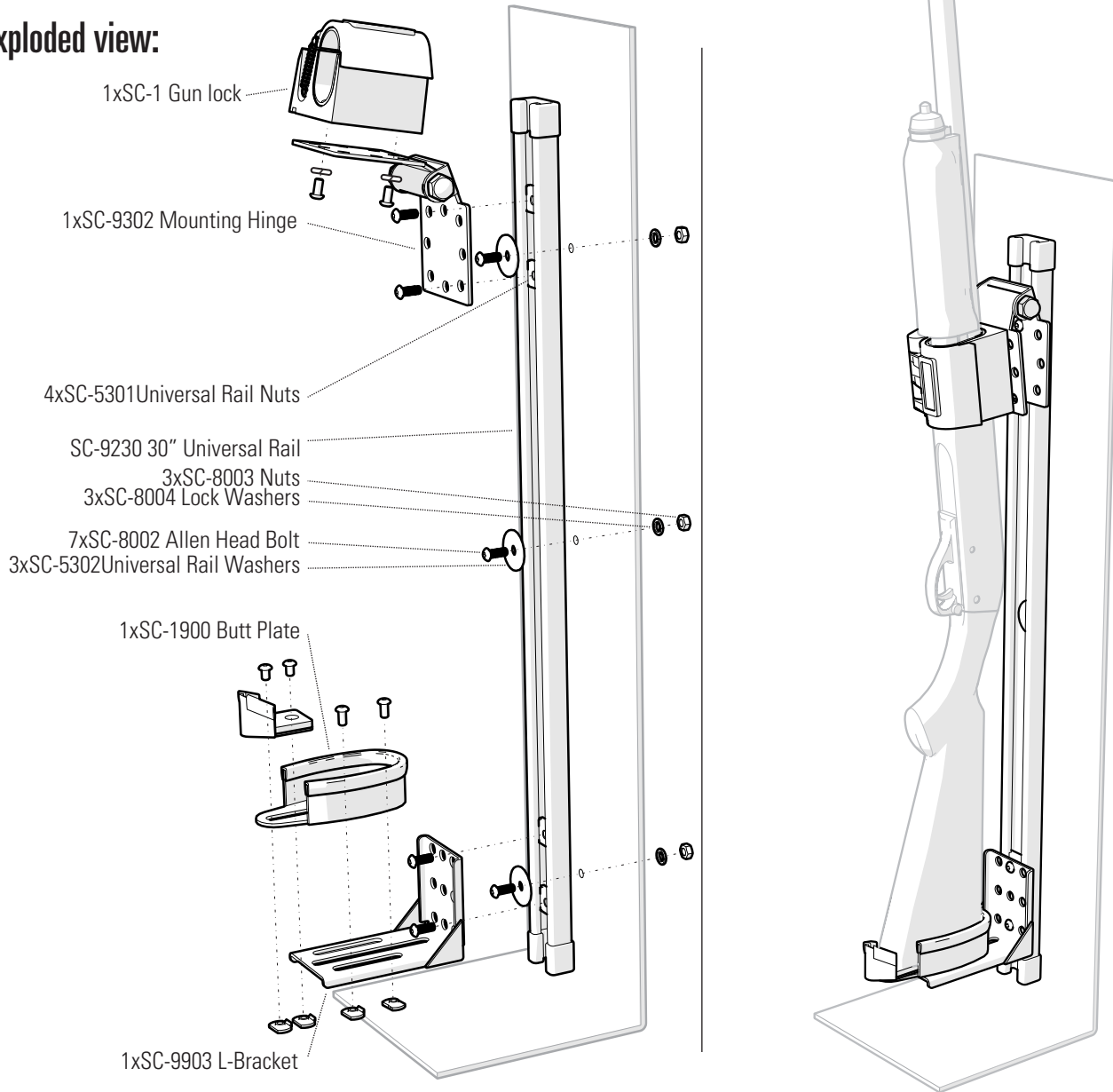
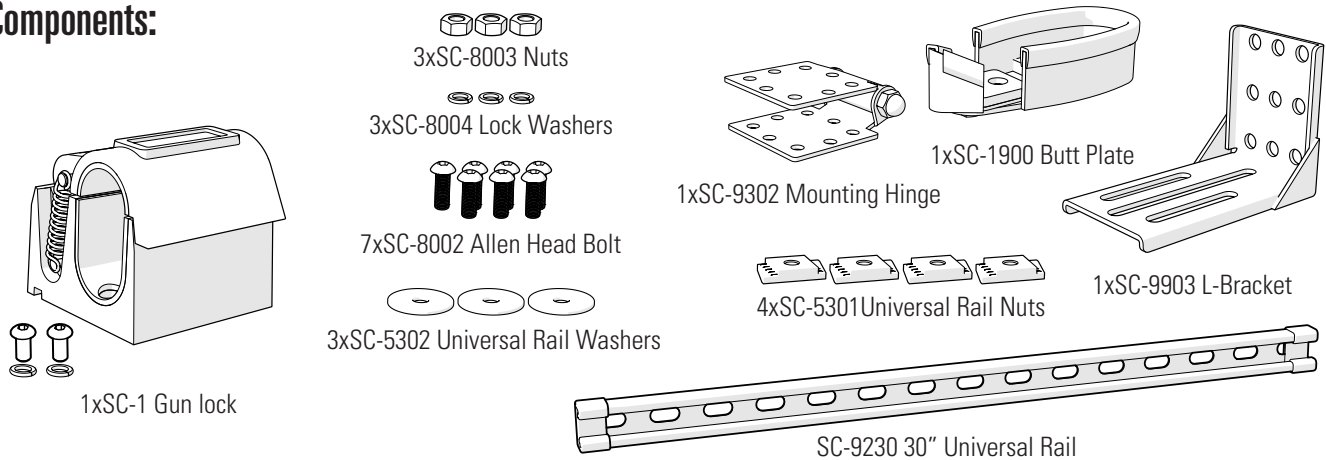


# Universal Rail Pump Shotgun Gun Rack with SC-1 Lock **SC-920-1**

## Exploded view:



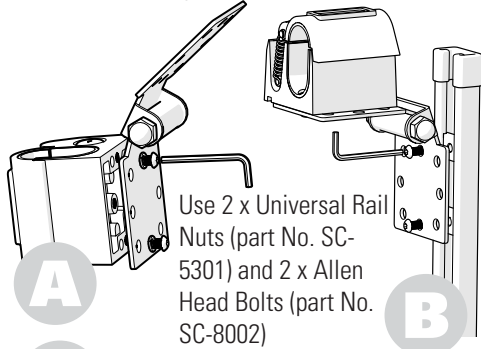
## Components:



# Universal Rail Pump Shotgun Gun Rack with SC-1 Lock **SC-920-1**

## 1 Install Gun Lock

Install SC-1 onto hinge (A) (part No. SC-9302) and install hinge (including SC-1) onto 30" Universal Rail (B) (part No.: SC-9230).

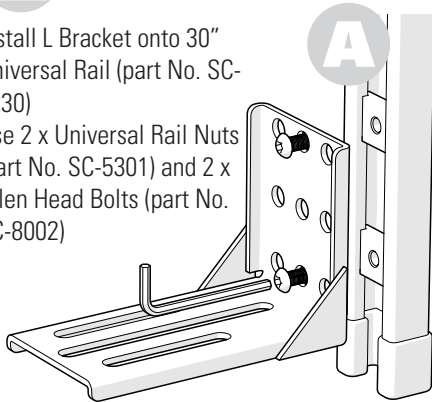


Use 2 x Universal Rail Nuts (part No. SC-5301) and 2 x Allen Head Bolts (part No. SC-8002)

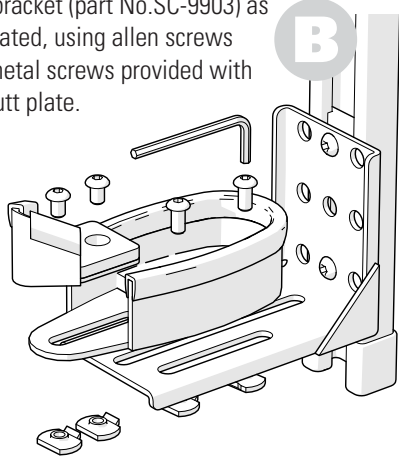
## 2 Install Butt Plate

Install L Bracket onto 30" Universal Rail (part No. SC-9230)

Use 2 x Universal Rail Nuts (part No. SC-5301) and 2 x Allen Head Bolts (part No. SC-8002)



Install Butt Plate (No. SC-1900) on L-bracket (part No. SC-9903) as illustrated, using allen screws and metal screws provided with the butt plate.



## 3 Adjust the parts

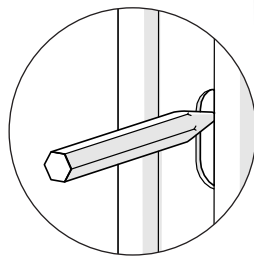
Slightly tighten all bolts and screws so you can still move parts around. Put your actual weapon in the gun lock and butt plate and position your whole assembly at your intended location. Adjust hinge height/angle and butt plate position until your weapon is properly lined up.

Parts of the weapon may interfere with parts of Mounting Hinge (No. SC-9302). In this case turn the hinge around with degrees.

Warning: Weapon must have some (1/16") free play in gun lock for gun lock mechanism to operate correctly. Weapon should not press against gun lock door.

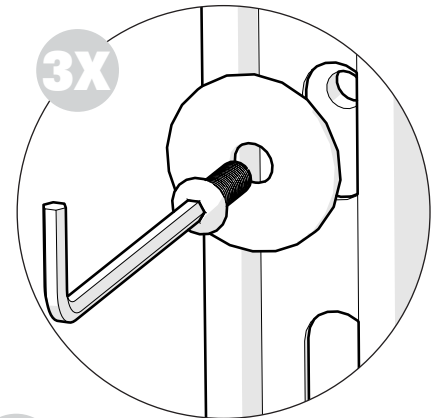
## 4 Mark the holes

Mark screw locations on wall/floor. Check back side of wall for fuel or electric lines.



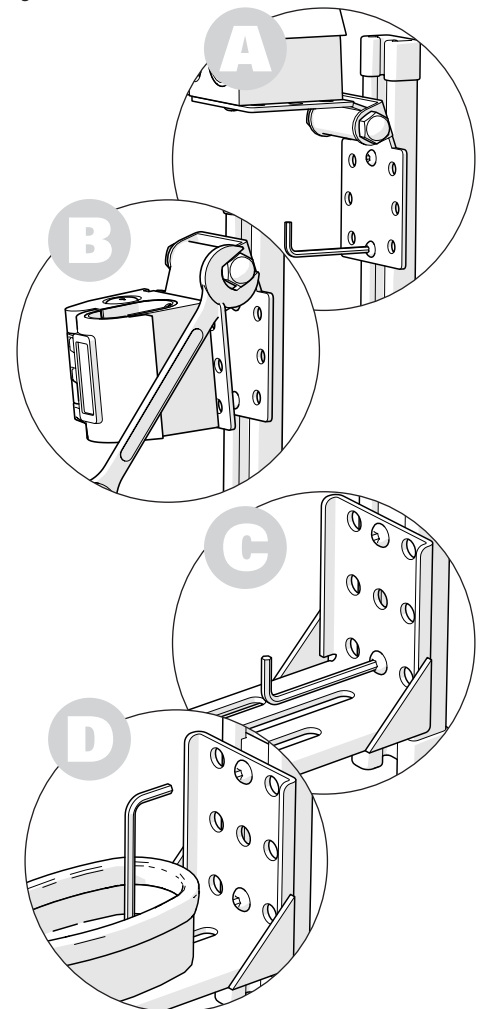
## 5 Drill and install

Drill your holes and install assembly.



## 6 Tighten the screws

Place your weapon in the setup, test and retest your installation by repeatedly inserting and removing the weapon from the assembly. When satisfied, tighten all screws and test again.



### How to use the SC-5301 Universal Rail Nuts

